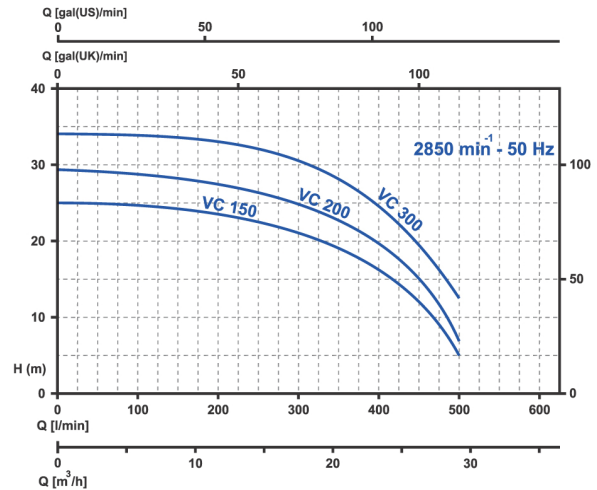
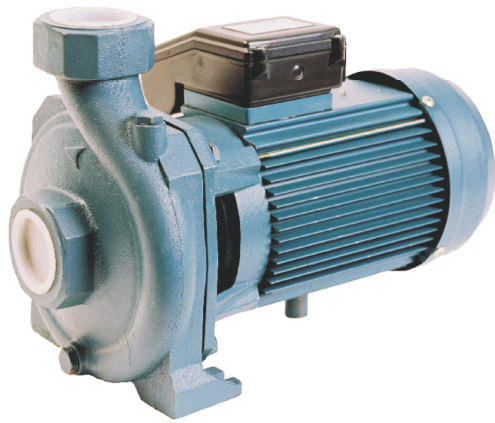
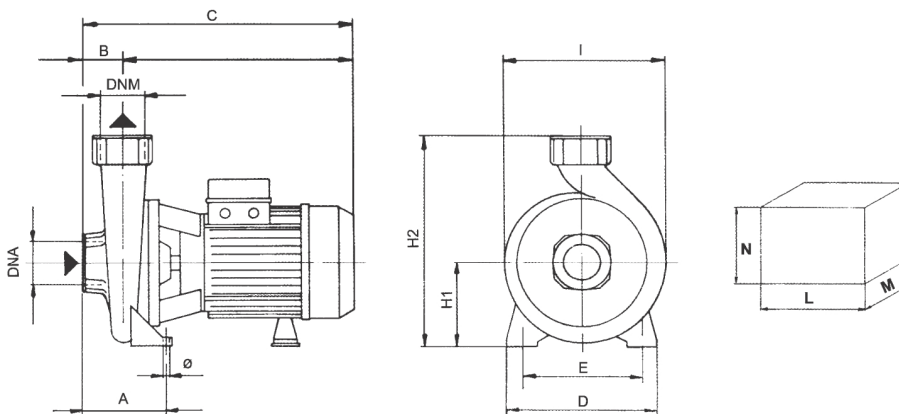




Series VC SINGLE IMPELLER CENTRIFUGAL ELECTRIC PUMPS



TYPE - MODEL		Nominal Power		Input Power		I (A)		Capacity (m³/h - l/min)								DN	DNM	ราคา	
1~ Singlephase	3~ Threephase	kW	HP	1~	3~	1x230V 50Hz	3x400V 50Hz	3	6	12	18	22	24	27	29			37	220V 50Hz 380V 50Hz
Total head (m)																			
VC 150	VC 150 T	1.1	1.5	1.9	1.9	9.2	3.4	26	25	23.5	19.5	15.5	13.5	7	5		2"G	2"G	
VC 200	VC 200 T	1.5	2	2.49	2.36	11.5	4.2	29.5	29	26	22	18.5	16	9.5	6.5		2"G	2"G	
VC 300	VC 300 T	2.2	3	3.1	3.1	13.6	5.3	35	34	32.5	29	25.5	23.5	21.5	18		2"G	2"G	

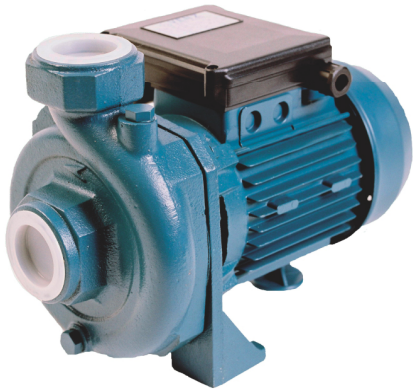


TYPE	DIMENSION (mm.)											PACKING (mm.)			Weight Kg.
	A	B	C	D	E	I	∅	H1	H2	DNA	DNM	N	L	M	
VC 150	105	52	370	200	160	215	9.5	110	280	2"G	2"G	300	390	230	22
VC 200	105	52	370	200	160	215	9.5	110	280	2"G	2"G	300	390	230	24
VC 300	105	52	410	200	160	215	9.5	110	280	2"G	2"G	300	430	230	32

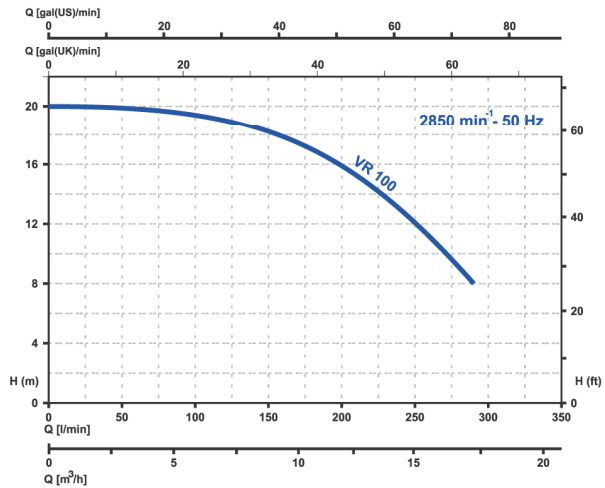
Cast iron pump body , Cast iron pump bracket , Brass impeller , Stainless steel shaft or mild steel , Max temperature of pumped liquid 90 °C for Brass , max working pressure 6 bar , Carbon/Ceramic Mechanical Seal , Motor T.E.F.C 2 poles Insulation Class F Protection IP 55 or IP 44



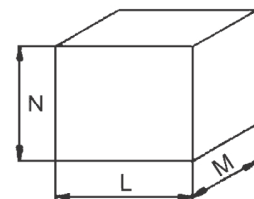
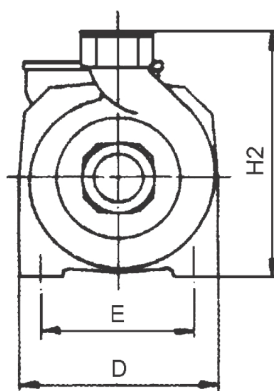
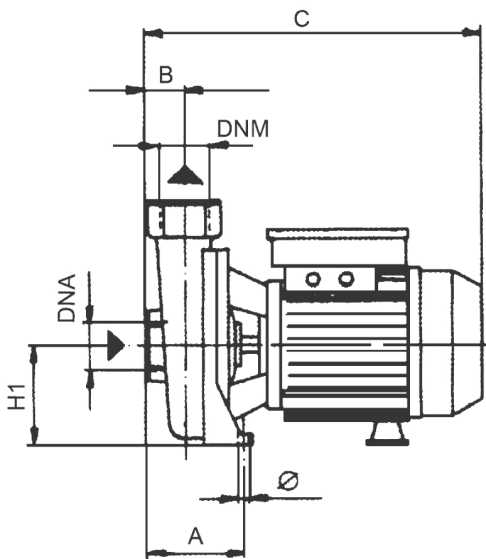
**Series VR
SINGLE IMPELLER CENTRIFUGAL ELECTRIC PUMPS**



OPEN IMPELLER



TYPE - MODEL		Nominal Power		Input Power kW		I (A)		Capacity (m ³ /h - l/min)							DNA	DNM	ราคา
1~ Singlephase	3~ Threephase	kW	HP	1~	3~	1x230V 50Hz	3x400V 50Hz	3	6	8	12	15	17	18			220V 50Hz 380V 50Hz
Total head (m)																	
VR 100	VR 100 T	0.75	1	1.02	1.05	4.7	2.3	20	18.5	18	16	13	10		1 1/2 G	1 1/2 G	

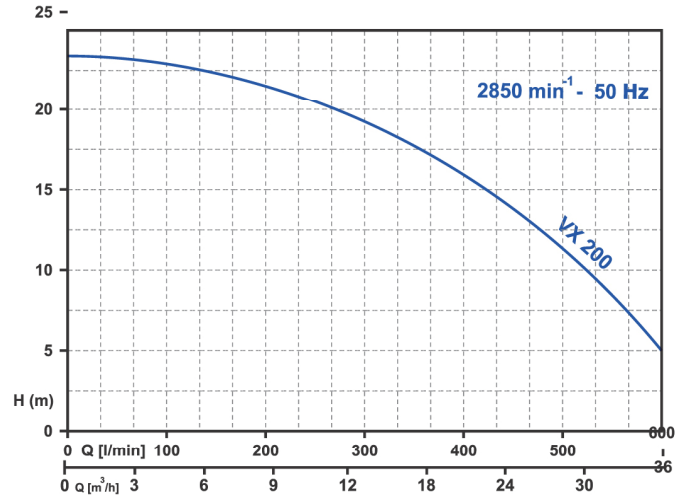
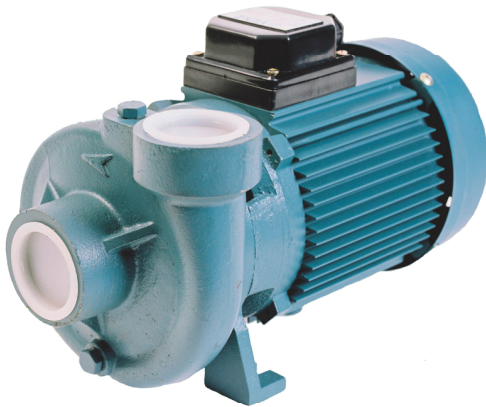


TYPE	DIMENSION (mm.)										PACKING (mm.)			Weight Kg.
	A	B	C	D	E	Ø	H1	H2	DNA	DNM	N	L	M	
VR 100	125	38	305	180	116	9.5	97	232	1 1/2 G	1 1/2 G	270	320	210	14.6

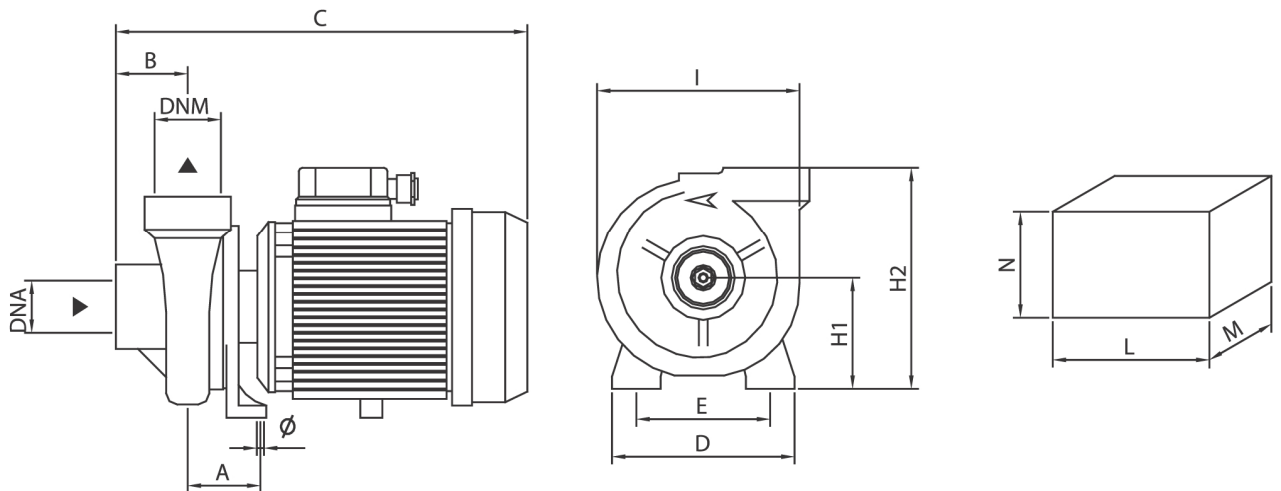
Cast iron pump body, Cast iron pump bracket, Brass impeller, Stainless steel shaft or mild steel, Max temperature of pumped liquid 90 °C, max working pressure 6 bar, Carbon/ceramic Mechanical Seal, Mortor T.E.F.C 2 poles Insulation Class F Protection IP 55 or IP 44



Series VX
SINGLE IMPELLER CENTRIFUGAL ELECTRIC PUMPS



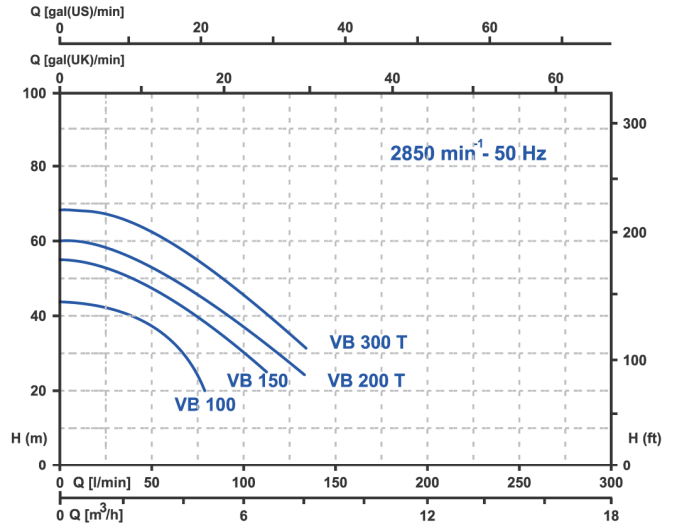
TYPE - MODEL		Nominal Power		Input Power		I (A)		Capacity (m ³ /h - l/min)								DNA	DNM	ราคา
1~ Singlephase	3~ Threephase	kW	HP	1~	3~	1x230V 50Hz	3x400V 50Hz	3	6	9	12	18	24	30	36			
VX 200	VX 200 T	1.5	2	2.49	2.36	11.5	4.2	23	22	21.5	21	18.5	16	12.5	5	2"G	2"G	220V 50Hz 380V 50Hz



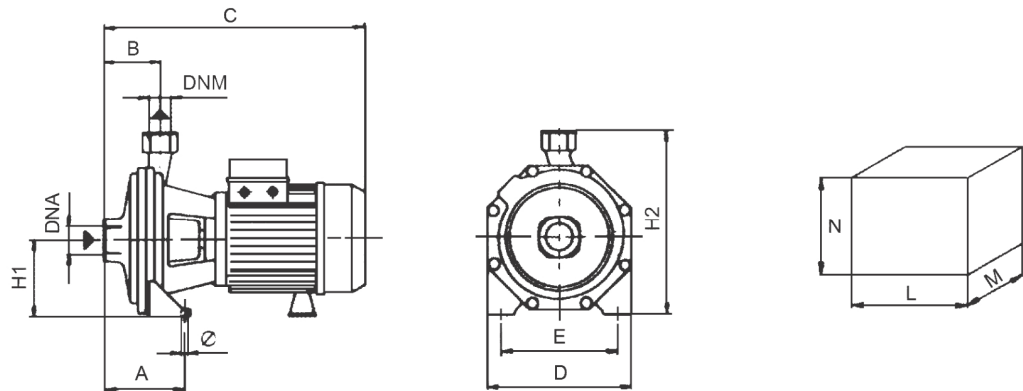
TYPE	DIMENSION (mm.)											PACKING (mm.)			Weight
	A	B	C	D	E	I	∅	H1	H2	DNA	DNM	N	L	M	Kg.
VX 200	119.7	64.9	375	164.6	120.9	190.8	9.7	103.6	201	2"G	2"G	280	410	250	22.4



Series VB
SINGLE IMPELLER CENTRIFUGAL ELECTRIC PUMPS



TYPE - MODEL		Nominal Power		Input Power kW		I (A)		Capacity (m³/h - l/min)														DNA	DNM	220V 50Hz 380V 50Hz			
1~ Singlephase	3~ Threephase	kW	HP	1~	3~	1x230V 50Hz	3x400V 50Hz	0	1.5	3	4.5	6	7.5	9	10.5	12	15	18	24	30	36						
								Total head (m)																			
VB 100	VB 100 T	0.74	1	1.17	1.15	5.4	2.4	44	41.5	37	22.5														1"G	1"G	
VB 150	VB 150 T	1.1	1.5	1.85	1.85	8.8	3.4	54.5	53	49	44	40													1 1/4"G	1"G	
VB 200	VB 200 T	1.65	2.2	2.22	2.3	10.3	4.2	59	58.5	54	49	45	38												2"G	2"G	
VB 300	VB 300 T	2.2	3	3.1	2.85	13.6	5.2	66	65	61	54	46.5	44	38											2"G	2"G	

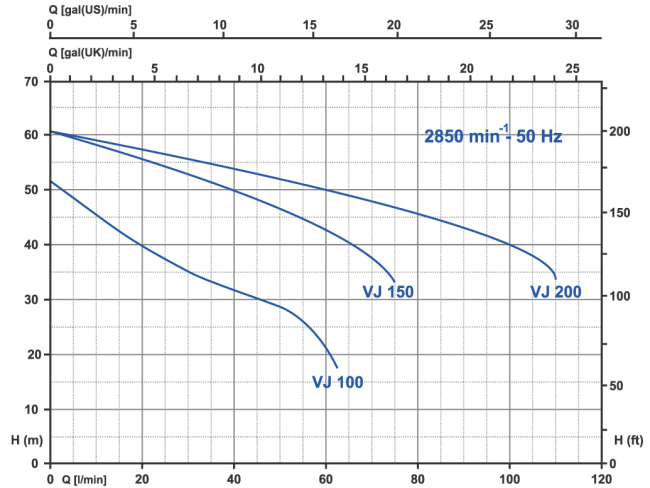
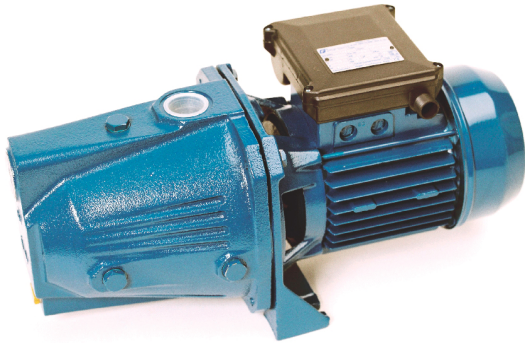


TYPE	DIMENSION (mm.)										PACKING (mm.)			Weight
	A	B	C	D	E	Ø	H1	H2	DNA	DNM	N	L	M	Kg.
VB 100	125	70	330	180	140	9.5	97	227	1"G	1"G	255	345	220	17.2
VB 150	115	81	385	210	170	9.5	110	265	1 1/4 G	1"G	280	400	230	23.2
VB 200	115	81	385	210	170	9.5	110	265	1 1/4 G	1"G	280	400	230	25
VB 300	115	81	455	210	170	9.5	110	265	1 1/4 G	1"G	280	470	230	31.3

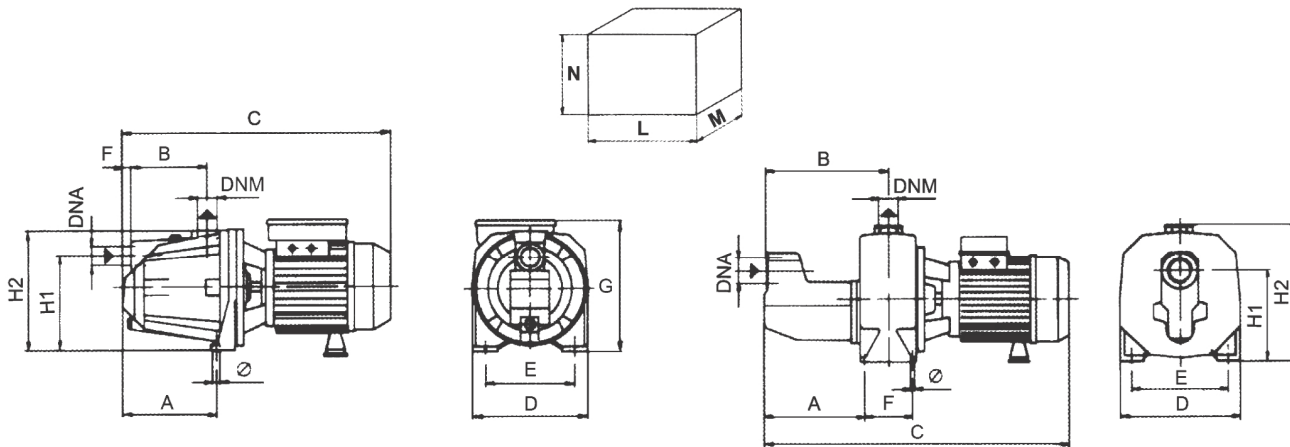
Cast iron pump body, Cast iron pump bracket, Brass impeller, Stainless steel shaft or mild steel, Max temperature of pumped liquid 90 °C, max working pressure 11 bar for VB-150,200,300 and 6 bar for VB-100 Carbon/ceramic Mechanical Seal, Motor T.E.F.C 2 poles Insulation Class F Protection IP 55 or IP44



Series VJ
SINGLE IMPELLER CENTRIFUGAL ELECTRIC PUMPS



TYPE - MODEL		Nominal Power		Input Power		I (A)		Capacity (m ³ /h - l/min)										DNA	DNM	ราคา							
1~ Singlephase	3~ Threephase	kW	HP	1~	3~	1x230V 50Hz	3x400V 50Hz	0.6	1.2	1.8	2.4	3	3.6	4.2	4.8	6	10			20	30	40	50	60	70	80	100
								Total head (m)																			
VJ 100	VJ 100 T	0.74	1	1.02	1.05	4.7	2.3	48	43	38	33	25	10					1" G	1" G								
VJ 150	VJ 150 T	1.1	1.5	1.65	1.65	8.2	3	61	59	57	54	50	46	40	-	0		1 1/2" G	1" G								
VJ 200	VJ 200 T	1.65	2.2	2.22	2.22	10.3	4.1	61	59.5	58	56	54	51	49	46	40		1 1/2" G	1" G								



TYPE	DIMENSION (mm.)												PACKING (mm.)			Weight
	A	B	C	D	E	F	G	∅	H1	H2	DNA	DNM	N	L	M	Kg.
VJ 100	225	122	415	180	140	15	200	9.5	152	195	1" G	1" G	240	430	200	16
VJ 150	205	227	560	220	177	90	-	9.5	162	250	1 1/2" G	1" G	280	570	230	27
VJ 200	205	227	560	220	177	90	-	9.5	162	250	1 1/2" G	1" G	280	570	230	28

Cast iron pump body, Cast iron pump bracket, Brass impeller, Stainless steel shaft or mild steel, Max temperature of pumped liquid 90 °C, max working pressure 6 bar for VJ-100 8 bar for VJ-150,200 Carbon/ceramic Mechanical Seal, Motor T.E.F.C 2 poles Insulation Class F Protection IP 55 or IP44